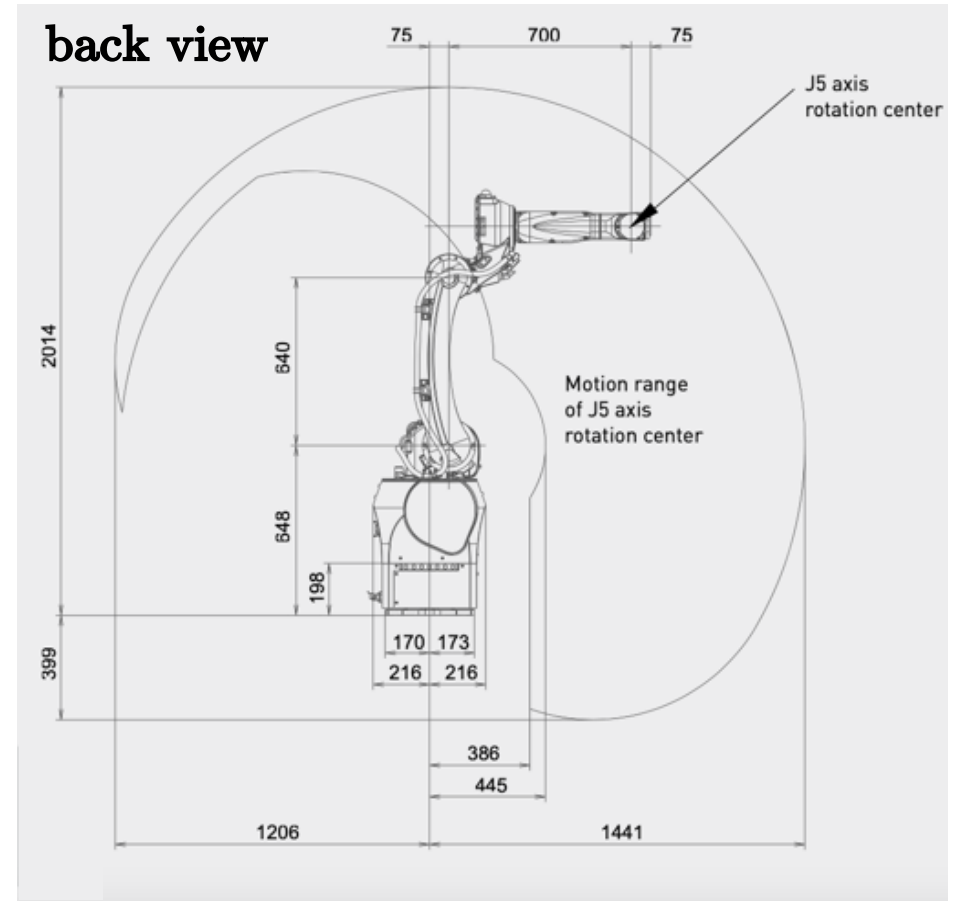


Fanuc CR15ia collaborative robot – DH frames assignment and table

Name: _____

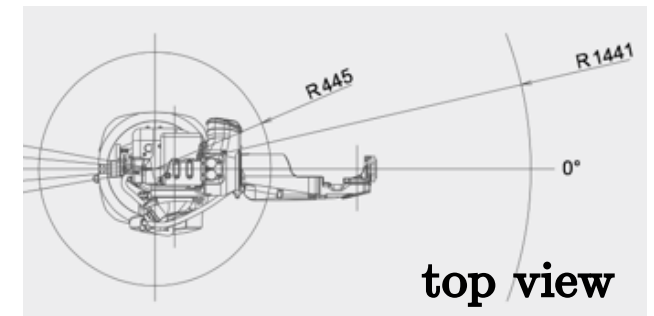


front view



back view

i	1	2	3	4	5	6
α_i						
a_i						
d_i						
θ_i						



top view